

Premium Opus



Summary

Opus is the most recent addition to our Premium Range and we have spared nothing in giving you the maximum sitting comfort.

This Recliner really is extra special, where the shape of the seat and back embraces you and gives your body support in all the right places.

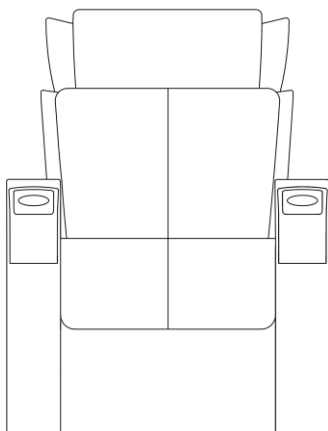
An Economical reclining solution that operates without electrical motors or controls, this market leading seat offers the ultimate in comfort.

The back and headrest are made from foam and fibres and as you lean back it intuitively glides into a reclined position.

The innovative sliding design allows for a superior seating position, which provides the ultimate in total relaxation and even more enjoyable movie experience.

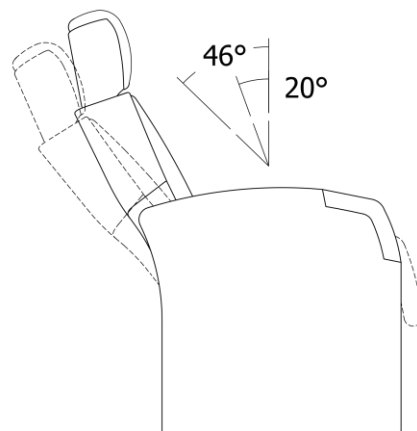


39.4"
1000



25.5"
650

40.7"
1035



31.4"
800

Premium Opus



DIMENSIONS

Centre to Centre : 650 mm
Backrest Height : 1035
Seat Open Depth: 1000
Seat Closed Depth: 800
Seat Height: 450±10

DESCRIPTION & SPECIFICATION

Structure

Centre and end standards are of lateral pedestal design inner structure made of 19mm x 19mm Thk 1.6mm square hollow section welded into each other including 19mm x 38mm Thk 2.0mm act as a main holding panel structure between seat and floor.

Backrest and Seat.

Inner metal frame with Ø19 Thk 2.0mm fabricated with metal supports upholstered with HR foam, density 45 kg/m³.

Upholstered with padded cover on seat, backrest and headrest with modern design and shape.

Upholstered with High Resilient foam of 80 – 100mm thickness and covered with fabric.

Glide seat with return systems by means of spring force. Totally silent and maintenance free.

Metal / Fabric Finishing

All metal parts exposed shall be stripped and cleaned with iron phosphate, hot water rinsed and then chromic acid rinsed.

All metal parts are coated with an epoxy finish of at least 60 microns for indoor use.

Conformity with BS-6496 hardness test.

Standard fabric : ASTI LEATHERETTE

Options

Rectangular PVC seat numbering

Logo embroidery.

Flammability compliance with BS 5852:2006 section 3 ignition source 5.

Advantages

Comfort especially studied according to fundamental criteria of ergonomic.

Reclining solution with glide mechanism without motor.

Durability of the chair & after sales service for all spare parts of the model.

Large choice of fabrics.

Fire Safety

Flammability compliance with California Bulletin 117 and international regulations. In their last issues and particularly with safety regulations.

